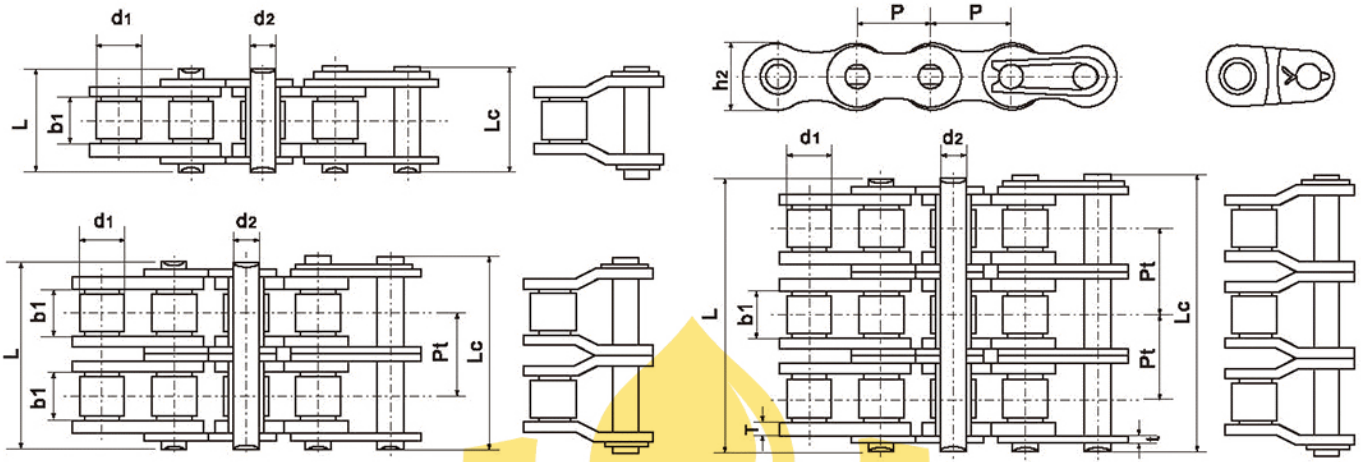


European standard Short Pitch Precision Roller Chain (ISO 606/ DIN 8187)



ANSI Chain No.	P	d1	b1	d2	t	T	h2	Pt	L	Lc	U. T. S. (KN)	Wt. (Kg/m)
04B	6	4	2.8	1.85	0.6	0.6	5	-	6.8	7.8	3	0.11
05B-1	8	5	3	2.31	0.8	0.8	7.1	-	8.2	8.9	5	0.19
05B-2								5.64	13.9	14.5	7.8	0.33
*06B-1	9.525	6.35	5.72	3.28	1.3	1.3	8.2	-	13.15	14.1	9	0.41
*06B-2								10.24	23.4	24.4	16.9	0.77
*06B-3								33.5	34.6	24.9	1.16	
081	12.7	7.75	3.3	3.65	1	1	9.8	-	9.3	10.2	8	0.3
083	12.7	7.75	4.88	4.05	1.3	1.4	10.3	-	12.9	14.4	11.6	0.5
084	12.7	7.75	4.88	4.05	1.5	1.8	11.05	-	13.4	14.9	16	0.55
08B-1	12.7	8.51	7.75	4.45	1.6	1.6	11.8	-	16.7	18.2	18	0.69
08B-2								13.92	31.2	32.2	32	1.34
08B-3								45.1	46.1	47.5	2.03	
10B-1	15.875	10.16	9.65	5.08	1.7	1.7	14.7	-	19.5	20.9	22.4	0.93
10B-2								16.59	36.1	37.5	44.5	1.84
10B-3								52.7	54.1	66.7	2.77	
12B-1	19.05	12.07	11.68	5.72	1.85	1.85	16	-	22.5	24.2	29	1.15
12B-2								19.46	42	43.6	57.8	2.31
12B-3								61.5	63.1	86.7	3.46	
16B-1	25.4	15.88	17.02	8.28	3.1	4.15	21	-	36.1	37.4	60	2.71
16B-2								31.88	68	69.3	106	5.42
16B-3								99.8	101.2	160	8.13	
20B-1	31.75	19.05	19.56	10.19	3.5	4.5	26.4	-	41.3	45	95	3.7
20B-2								36.45	77.8	81.5	170	7.2
20B-3								114.2	117.9	250	10.82	
24B-1	38.1	25.4	25.4	14.63	4.8	6	33.2	-	53.4	57.8	160	7.1
24B-2								48.36	101.7	106.2	280	13.4
24B-3								150.1	154.6	425	20.1	
28B-1	44.45	27.94	30.99	15.9	6	7.5	36.7	-	65.1	69.5	200	8.5
28B-2								59.56	124.6	129.1	360	16.6
28B-3								184.2	188.7	530	24.92	
32B-1	50.8	29.21	30.99	17.81	6	7	42	-	66	71	250	10.25
32B-2								58.55	124.6	129.6	450	21
32B-3								183.2	188.2	670	31.56	
40B-1	63.5	39.37	38.1	22.89	8	8.5	52.96	-	82.2	89.2	355	16.35
40B-2								72.29	154.5	161.5	630	32
40B-3								226.8	233.8	950	48.1	
48B-1	76.2	48.26	45.72	29.24	10	12	63.8	-	99.1	107	560	25
48B-2								91.21	190.4	198.2	1,000	50
48B-3								281.6	289.4	1,500	75	
56B-1	88.9	53.98	53.34	34.32	12	13.5	77.8	-	114.6	123	850	35.78
56B-2								106.6	221.2	229.6	1,800	71.48
56B-3								327.8	336.2	2,240	107.18	
64B-1	101.6	63.5	60.96	39.4	13	15	90.17	-	130	138.5	1,120	46
64B-2								119.89	249.9	258.4	2,000	91
64B-3								369.8	378.3	3,000	136	
72B-1	114.3	72.39	68.58	44.48	15	17	103.6	-	130	138.5	1,400	60.8
72B-2								136.27	283.7	292.7	2,500	120.4
72B-3								420	429	3,750	180	

★ Straight side plates